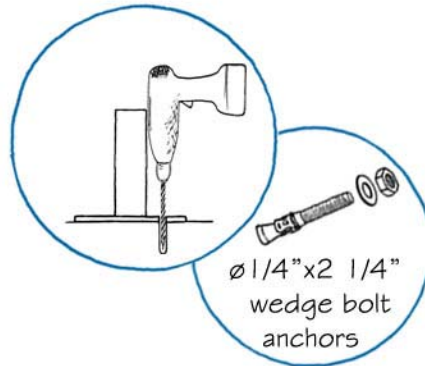


INSTALLATION MANUAL

For the most current release of this manual,
please visit our website at cogan.com

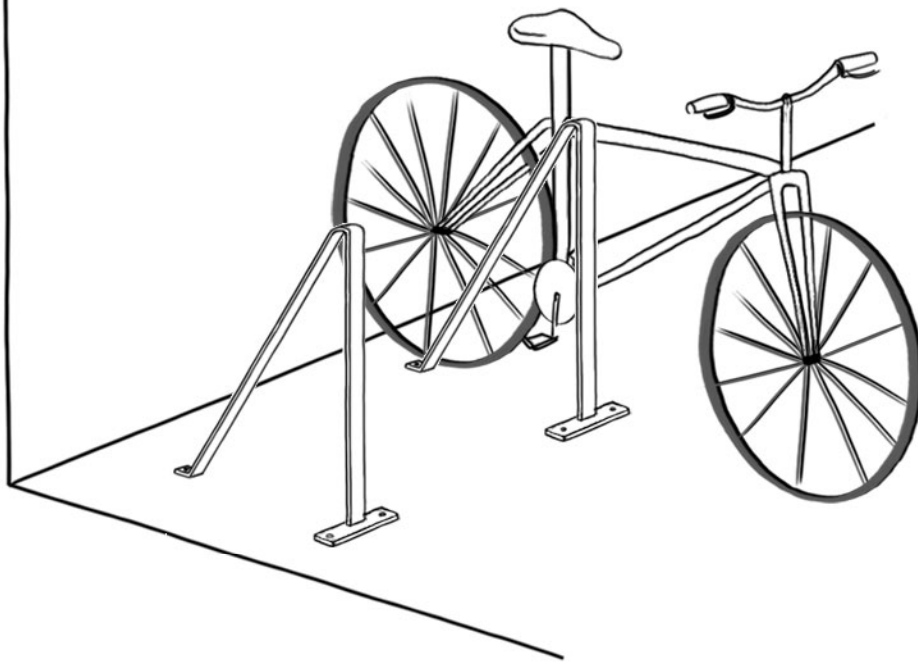
V.2014.1



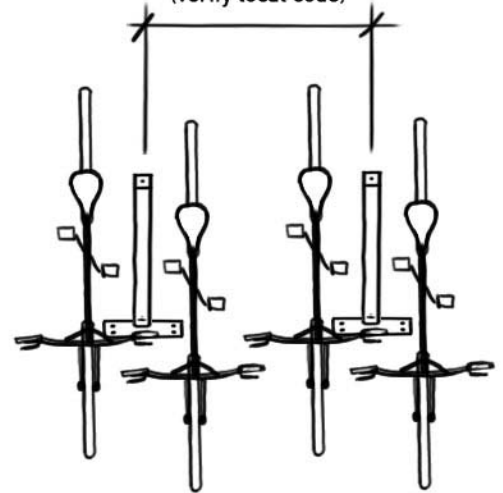
Hoop style floor mounted bike rack

(CAPACITY OF 2 BIKES)

cat# LBRHSF



suggested spacing
between 12" - 18" for 1 bike/rack &
24" - 30" for 2 bikes/rack
(verify local code)



PLAN VIEW

Use 3 anchors per bike rack.

To install wedge anchors, hammer drill a hole with the same nominal diameter and at least as deep as the length of the anchor. Clean holes using blow out bulb. Then drive Hilti bolt and tighten to the recommended torque value. Use these anchors in concrete only.

***** ALWAYS STRIP THE ANCHOR BOLT THREADS USING A PAIR OF PLIERS TO SECURE THE NUT FROM BEING REMOVED *****

Product	Lockers
Sub-product	Bike Rack - Hoop style floor mounted

- Easy installation, simply anchor both base plate to the concrete floor.



A Tradition of Quality Since 1901

cogan.com

INSTALLATION MANUAL

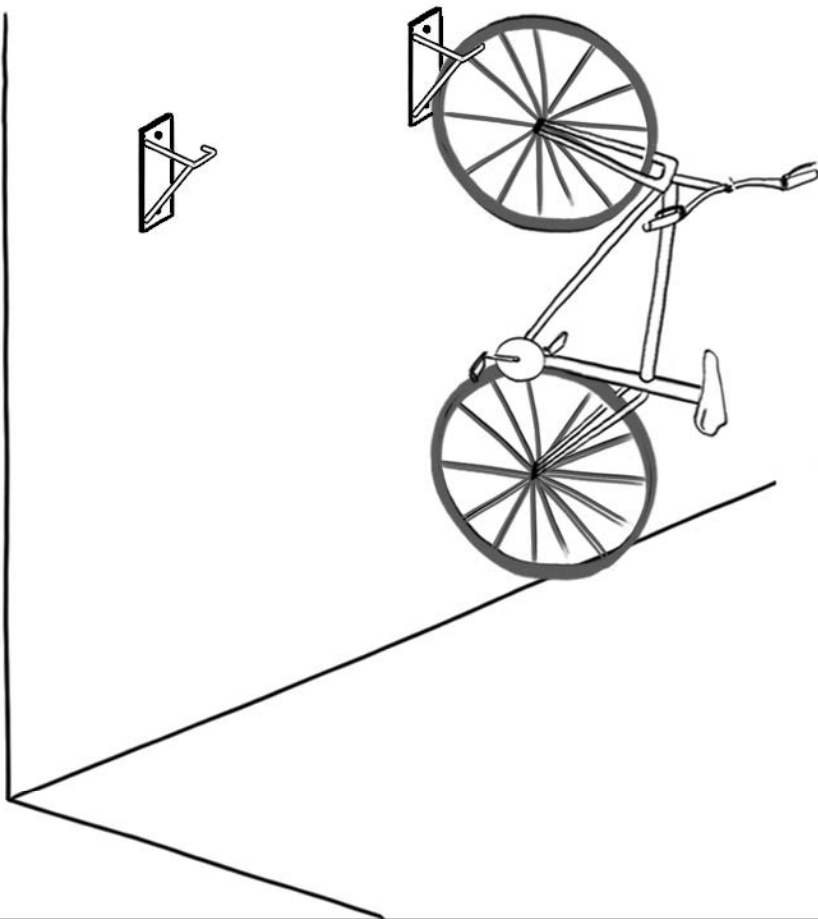
For the most current release of this manual,
please visit our website at cogan.com

V.2014.1

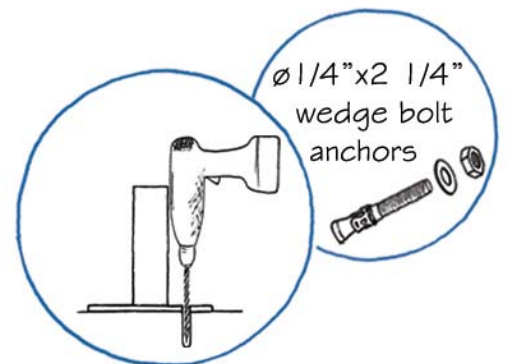
Hook style wall mounted bike rack

(CAPACITY OF 1 BIKE)

cat# LBRHSW1



To install wedge anchors, hammer drill a hole with the same nominal diameter and at least as deep as the length of the anchor. Clean holes using blow out bulb. Then drive Hilti bolt and tighten to the recommended torque value. Use these anchors in concrete only.
***** ALWAYS STRIP THE ANCHOR BOLT THREADS USING A PAIR OF PLIERS TO SECURE THE NUT FROM BEING REMOVED *****



Product	Lockers
Sub-product	Bike Rack - Hook style wall mounted

- Easy installation, simply anchor the bike rack to the concrete wall.

 **Cogan®**

A Tradition of Quality Since 1901

cogan.com